

# MV-IDH7000P

## 1 MP Handheld Code Reader



### Introduction

IDH7000P series wired handheld code reader adopts code reading algorithm to provide good decoding capability for DPM. It can read different types of one-dimensional and two-dimensional codes, and output codes rapidly.

### Key Feature

- Adopts code reading algorithm to provide good decoding capability.
- Provides good robustness to read codes with spots, defects and low contrast ratio.
- Supports continuous code reading, batch code reading for improving code reading efficiency.
- Supports multiple communication protocols, including TCP, Serial, FTP, Profinet, etc.
- Adopts illumination system to provide direct lighting and diffused reflection lighting.
- Supports IP65 and drop height of 1.8 m.

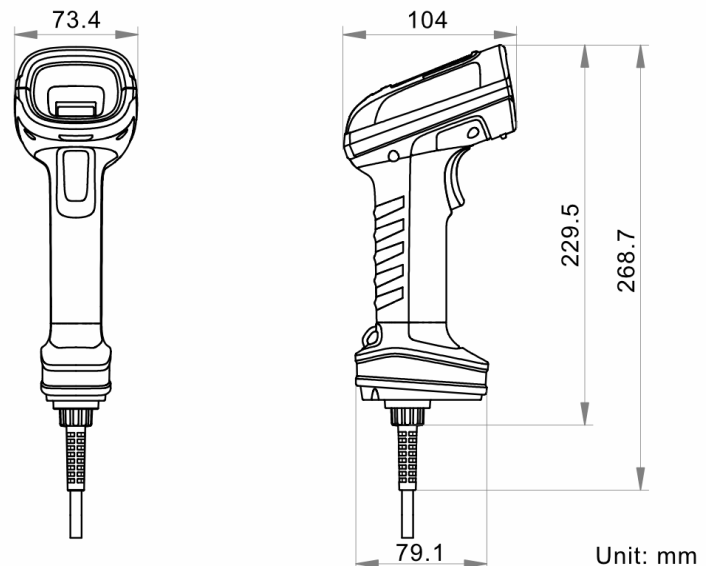
### Applicable Industry

PCB, new energy, consumer electronics, semiconductor, automobile parts, etc.

### Available Model

- Fast Ethernet type: MV-IDH7010P-07-SR-L
- USB2.0 type: MV-IDH7010P-07-SR-U

### Dimension



# Specification

Model	MV-IDH7010P-07-SR-L	MV-IDH7010P-07-SR-U
<b>Performance</b>		
<b>Symbologies</b>	1-dimensional codes: Code 39, Code 93, Code 128, CodaBar, EAN 8, EAN 13, ITF 14, ITF 25, UPCA, UPCE	
	2-dimensional codes: QR Code, Data Matrix	
<b>Min. accuracy</b>	3 mil	
<b>Max. frame rate</b>	50 fps	
<b>Sensor type</b>	CMOS, global shutter	
<b>Pixel size</b>	3 $\mu\text{m}$ $\times$ 3 $\mu\text{m}$	
<b>Sensor size</b>	1/4"	
<b>Resolution</b>	1280 $\times$ 800	
<b>Depth of field*</b>	Code 39 (5 mil): 30 mm-200 mm, Code 128 (3 mil): 55 mm-110 mm, Code 128 (20 mil): 56 mm-660 mm, Data Matrix (10 mil): 20 mm-220 mm, QR Code (10 mil): 20 mm-220 mm, QR Code (20 mil): 10 mm-450 mm	
<b>Field of view</b>	Horizontal 31°, vertical 20°	
<b>Detection angle</b>	Tilt angle $\pm$ 60°, skew angle $\pm$ 60°, rotation angle 360°	
<b>Symbol contrast</b>	20%	
<b>Communication protocol</b>	SmartSDK, TCP, FTP, HTTP, MELSEC/SLMP, Profinet, Ethernet/IP, ModBus, UDP, Fins, Serial	SmartSDK, USB-HID, USB-CDC
<b>Electrical feature</b>		
<b>Data interface</b>	Fast Ethernet, RS-232, DC terminal	USB2.0, DC terminal
<b>Power supply</b>	12 VDC to 24 VDC	USB2.0: 5 VDC DC terminal: 12 VDC to 24 VDC
<b>Max. power consumption</b>	6 W@24 VDC	USB2.0: 4.6 W@5 VDC DC terminal: 6 W@24 VDC
<b>Mechanical</b>		
<b>Focal length</b>	6.7 mm	
<b>Lens mount</b>	M5.8-mount	
<b>Ambient illumination</b>	0 lux to 100000 lux	
<b>Light source</b>	Direct: white LED; diffused reflection: red LED	
<b>Aiming system</b>	Cross laser aiming	
<b>Dimension</b>	73.4 mm $\times$ 104 mm $\times$ 229.5 mm (2.9" $\times$ 4.1" $\times$ 9.0")	
<b>Weight</b>	Approx. 460 g (1.0 lb.)	
<b>Ingress protection</b>	IP65	
<b>Temperature</b>	Working temperature: -20 °C to 50 °C, storage temperature: -30 °C to 70 °C	
<b>Humidity</b>	20% to 95% RH, non-condensing	
<b>Drop height</b>	1.8 m (70.9")	
<b>General</b>		
<b>Client software</b>	IDMVS	
<b>Certification</b>	CE	

\*Test condition: Environment temperature=25 °C (77 °F), ambient illumination=250 lux filament lamp, Hikrobot's test symbologies are used.

## HIKROBOT

Hangzhou Hikrobot Co., Ltd.  
en.hikrobotics.com

© Hangzhou Hikrobot Co., Ltd. All Rights Reserved.  
Hangzhou Hikrobot does not tolerate any infringement. Any organization or individual may not imitate or reproduce in whole or in part of the content. The data herein is based on Hikrobot's internal evaluation. Actual data may vary depending on specific configuration and operating condition. The information herein is subject to change without notice. All the content has been checked conscientiously. Nevertheless, Hikrobot shall not be liable to damages resulting from errors, inconsistencies or omissions.