

Hikrobot Co., Ltd.

# SC6000 Series Smart Camera

Quick Start Guide

**HIKROBOT**

## Legal Information

© Hangzhou Hikrobot Co., Ltd. All rights reserved.

### About this Document

This Document includes instructions for using and managing the Product. Pictures, charts, images and all other information hereinafter are for description and explanation only. The information contained in the Document is subject to change, without notice, due to firmware updates or other reasons. Please find the latest version in the company website (<https://en.hikrobotics.com/>). Unless otherwise agreed, Hangzhou Hikrobot Co., Ltd. or its affiliates (hereinafter referred to as "Hikrobot") makes no warranties, express or implied. Please use the Document with the guidance and assistance of professionals trained in supporting the Product.

### Acknowledgment of Intellectual Property Rights

- Hikrobot owns the copyrights and/or patents related to the technology embodied in the Products described in this Document, which may include licenses obtained from third parties. Any part of the Document, including text, pictures, graphics, etc., belongs to Hikrobot. No part of this Document may be excerpted, copied, translated, or modified in whole or in part by any means without written permission.
- **HIKROBOT** and other Hikrobot's trademarks and logos are the properties of Hikrobot in various jurisdictions. Other trademarks and logos mentioned are the properties of their respective owners.

### LEGAL DISCLAIMER

TO THE MAXIMUM EXTENT PERMITTED BY APPLICABLE LAW, THIS MANUAL AND THE PRODUCT DESCRIBED, WITH ITS HARDWARE, SOFTWARE AND FIRMWARE, ARE PROVIDED "AS IS" AND "WITH ALL FAULTS AND ERRORS". HIKROBOT MAKES NO WARRANTIES, EXPRESS OR IMPLIED, INCLUDING WITHOUT LIMITATION, MERCHANTABILITY, SATISFACTORY QUALITY, OR FITNESS FOR A PARTICULAR PURPOSE. THE USE OF THE PRODUCT BY YOU IS AT YOUR OWN RISK. IN NO EVENT WILL HIKROBOT BE LIABLE TO YOU FOR ANY SPECIAL, CONSEQUENTIAL, INCIDENTAL, OR INDIRECT DAMAGES, INCLUDING, AMONG OTHERS, DAMAGES FOR LOSS OF BUSINESS PROFITS, BUSINESS INTERRUPTION, OR LOSS OF DATA, CORRUPTION OF SYSTEMS, OR LOSS OF DOCUMENTATION, WHETHER BASED ON BREACH OF CONTRACT, TORT (INCLUDING NEGLIGENCE), PRODUCT LIABILITY, OR OTHERWISE, IN CONNECTION WITH THE USE OF THE PRODUCT, EVEN IF HIKROBOT HAS BEEN ADVISED OF THE POSSIBILITY OF SUCH DAMAGES OR LOSS.

YOU ACKNOWLEDGE THAT THE NATURE OF INTERNET PROVIDES FOR INHERENT SECURITY RISKS, AND HIKROBOT SHALL NOT TAKE ANY RESPONSIBILITIES FOR ABNORMAL OPERATION, PRIVACY LEAKAGE OR OTHER DAMAGES RESULTING FROM CYBER-ATTACK, HACKER ATTACK, VIRUS INFECTION, OR OTHER INTERNET SECURITY RISKS; HOWEVER, HIKROBOT WILL PROVIDE TIMELY TECHNICAL SUPPORT IF REQUIRED.

YOU AGREE TO USE THIS PRODUCT IN COMPLIANCE WITH ALL APPLICABLE LAWS, AND

YOU ARE SOLELY RESPONSIBLE FOR ENSURING THAT YOUR USE CONFORMS TO THE APPLICABLE LAW. ESPECIALLY, YOU ARE RESPONSIBLE, FOR USING THIS PRODUCT IN A MANNER THAT DOES NOT INFRINGE ON THE RIGHTS OF THIRD PARTIES, INCLUDING WITHOUT LIMITATION, RIGHTS OF PUBLICITY, INTELLECTUAL PROPERTY RIGHTS, OR DATA PROTECTION AND OTHER PRIVACY RIGHTS. YOU SHALL NOT USE THIS PRODUCT FOR ANY PROHIBITED END-USES, INCLUDING THE DEVELOPMENT OR PRODUCTION OF WEAPONS OF MASS DESTRUCTION, THE DEVELOPMENT OR PRODUCTION OF CHEMICAL OR BIOLOGICAL WEAPONS, ANY ACTIVITIES IN THE CONTEXT RELATED TO ANY NUCLEAR EXPLOSIVE OR UNSAFE NUCLEAR FUEL-CYCLE, OR IN SUPPORT OF HUMAN RIGHTS ABUSES.

THE PERFORMANCE DATA IN THIS PUBLICATION IS BASED ON HIKROBOT'S INTERNAL RESEARCH/EVALUATION. ACTUAL DATA MAY VARY DEPENDING ON SPECIFIC CONFIGURATIONS AND OPERATING CONDITIONS AND HIKROBOT SHALL NOT BEAR THE CONSEQUENCES ARISING THEREFROM.

IN THE EVENT OF ANY CONFLICTS BETWEEN THIS MANUAL AND THE APPLICABLE LAW, THE LATTER PREVAILS.

## Regulatory Information

---

### Note

- These clauses apply only to the products bearing the corresponding mark or information.
  - Due to the product shape and dimension, the name and address of the importer/manufacturer are printed on the package.
- 

## EU Conformity Statement



This product and - if applicable - the supplied accessories too are marked with "CE" and comply therefore with the applicable harmonized European standards listed under the Directive 2014/30/EU(EMCD), Directive 2001/95/EC(GPSD) and Directive 2011/65/EU(RoHS).



2012/19/EU (WEEE directive): Products marked with this symbol cannot be disposed of as unsorted municipal waste in the European Union. For proper recycling, return this product to your local supplier upon the purchase of equivalent new equipment, or dispose of it at designated collection points. For more information see: <http://www.recyclethis.info>



Regulation (EU) 2023/1542(Battery Regulation): This product contains a battery and it is in conformity with the Regulation (EU) 2023/1542. The battery cannot be disposed of as unsorted municipal waste in the European Union. See the product documentation for specific battery information. The battery is marked with this symbol, which may include lettering to indicate cadmium (Cd), or lead (Pb). For proper recycling,

return the battery to your supplier or to a designated collection point.  
For more information see: [www.recyclethis.info](http://www.recyclethis.info).

This is a class A product. In a domestic environment this product may cause radio interference in which case the user may be required to take adequate measures.




### KC Mark Certification

Class A: The device is advised to note that as a seller or a business user (Class A) Devices and intended for use outside the Home area.

A급 기기: 이 기기는 업무용(A급) 전자파적합기기로서 판매자 또는 사용자는 이 점을 주의하시기바라며, 가정 외의 지역에서 사용하는 것을 목적으로 합니다.

## Symbol Conventions

The symbols that may be found in this document are defined as follows.

Symbol	Description
 <b>Danger</b>	Indicates a hazardous situation which, if not avoided, will or could result in death or serious injury.
 <b>Caution</b>	Indicates a potentially hazardous situation which, if not avoided, could result in equipment damage, data loss, performance degradation, or unexpected results.
 <b>Note</b>	Provides additional information to emphasize or supplement important points of the main text.

## Available Model

This manual is applicable to the SC6000 Series Smart Camera.

## Contact Information

Hangzhou Hikrobot Co., Ltd.

E-mail: [global.support@hikrobotics.com](mailto:global.support@hikrobotics.com)

Website: <https://en.hikrobotics.com/>

# Contents

<b>Chapter 1 Safety Instruction</b> .....	<b>1</b>
1.1 Safety Claim .....	1
1.2 Safety Instruction .....	1
1.3 Electromagnetic Interference Prevention.....	3
1.4 Light Source Prevention.....	4
<b>Chapter 2 Overview</b> .....	<b>5</b>
2.1 Introduction .....	5
2.2 Key Features.....	5
<b>Chapter 3 Appearance and Connector</b> .....	<b>6</b>
3.1 Appearance.....	6
3.2 Connector .....	9
3.2.1 Power and I/O Connector .....	9
3.2.2 Extended Interface.....	11
<b>Chapter 4 Device Installation and Wiring</b> .....	<b>13</b>
4.1 Installation Preparation.....	13
4.2 Install Device .....	13
4.3 Wire Device .....	15
<b>Chapter 5 Device Operation</b> .....	<b>16</b>
<b>Chapter 6 I/O and Serial Port Introduction</b> .....	<b>17</b>
6.1 I/O Electrical Feature.....	17
6.1.1 Input Signal .....	17
6.1.2 Output Signal.....	18
6.1.3 Configurable Input/Output Signal .....	19
6.2 I/O Wiring.....	21
6.2.1 Input Signal Wiring .....	21
6.2.2 Output Signal Wiring .....	22
6.2.3 Configurable Input/Output Wiring.....	23
6.3 RS-232 Serial Port.....	25
6.3.1 RS-232 Serial Port Introduction.....	25

6.3.2 RS-232 Serial Port Wiring.....	26
<b>Chapter 7 FAQ (Frequently Asked Question).....</b>	<b>27</b>
7.1 Why the device cannot be connected to the VM software? .....	27
7.2 Why the image is very dark? .....	27
7.3 Why the image's frame rate is very low in the live view? .....	27
7.4 Why there is no image in the live view?.....	28

# Chapter 1 Safety Instruction

The safety instructions are intended to ensure that the user can use the device correctly to avoid danger or property loss. Read and follow these safety instructions before installing, operating and maintaining the device.

## 1.1 Safety Claim

- To ensure personal and device safety, when installing, operating, and maintaining the device, follow the signs on the device and all safety instructions described in the manual.
- The note, caution and danger items in the manual do not represent all the safety instructions that should be observed, but only serve as a supplement to all the safety instructions.
- The device should be used in an environment that meets the design specifications, otherwise it may cause malfunctions, and malfunctions or component damage caused by non-compliance with relevant regulations are not within the scope of the device's quality assurance.
- Our company will not bear any legal responsibility for personal safety accidents and property losses caused by abnormal operation of the device.

## 1.2 Safety Instruction



### Caution

- Do not install the device if it is found that the device and accessories are damaged, rusted, water ingress, model mismatch, missing parts, etc., when unpacking.
- Avoid storage and transportation in places such as water splashing and rain, direct sunlight, strong electric fields, strong magnetic fields, and strong vibrations.
- Avoid dropping, smashing or vigorously vibrating the device and its components.
- It is forbidden to install the indoor device in an environment where it may be exposed to water or other liquids. If the device is damp, it may cause fire and electric shock hazard.
- Place the device in a place out of direct sunlight and ventilation, away from heat sources such as heaters and radiators.
- This is a Class A device. In the living environment, this device may cause radio interference. In this case, the user may be required to take practical measures against the interference.
- In the use of the device, you must be in strict compliance with the electrical safety regulations of the nation and region.
- Do not connect multiple devices to the same power adapter. Exceeding the adapter load may cause a fire due to excessive heat generation.
- Use the power adapter provided by the official manufacturer. The power adapter must meet the Limited Power Source (LPS) requirements. For specific requirements, please

## SC6000 Series Smart Camera Quick Start Guide

---

refer to the device's technical specifications.

- It is strictly forbidden to wire, maintain, and disassemble the device is powered on. Otherwise, there is a danger of electric shock.
- Make sure that the device is installed in good condition, the wiring is firm, and the power supply meets the requirements before powering on the device.
- If the device emits smoke, odor or noise, please turn off the power and unplug the power cord immediately, and contact the dealer or service center in time.
- It is strictly forbidden to touch any terminal of the device when operating it. Otherwise there is a danger of electric shock.
- It is strictly forbidden for non-professional technicians to detect signals during device operation, otherwise it may cause personal injury or device damage.
- It is strictly forbidden to maintain the device is powered on, otherwise there is a danger of electric shock.
- Avoid aiming the lens at strong light such as lighting, sunlight, or laser beams, etc., otherwise the image sensor will be damaged.
- If it is necessary to clean the filter outside the image sensor, please moisten the soft clean cloth with 75% or less alcohol and gently wipe off the dust.
- It is forbidden to touch the image sensor directly. If it is necessary to clean, please use wet tissue or soft clean cloth to slightly moisten pure water and gently wipe off dust. It is forbidden to use alcohol corrosive solution. When cleaning, make sure to power off the device and unplug the power socket. Please keep the image acquisition window clean. It is recommended to wipe with clean water. Damage caused by improper maintenance will not be liable for warranty.
- If the device does not work properly, please contact your dealer or the nearest service center. Never attempt to disassemble the device yourself. We shall not assume any responsibility for problems caused by unauthorized repair or maintenance.
- Please dispose of the device in strict accordance with the relevant national or regional regulations and standards to avoid environmental pollution and property damage.

### **Note**

- Check whether the device's package is in good condition, whether there is damage, intrusion, moisture, deformation, etc. before unpacking.
- Check the surface of the device and accessories for damage, rust, bumps, etc. when unpacking.
- Check whether the quantity and information of the device and accessories are complete after unpacking.
- Store and transport the device according to the storage and transport conditions of the device, and the storage temperature and humidity should meet the requirements.
- It is strictly prohibited to transport the device in combination with items that may affect or damage the device.
- The device should not be placed with exposed flame sources, such as lighted candles.
- Please read the manual and safety instructions carefully before installing the device.
- Quality requirements for installation and maintenance personnel:
  - Qualification certificate or working experience in weak current system installation and maintenance, and relevant working experience and qualifications. Besides, the

personnel must possess the following knowledge and operation skills.

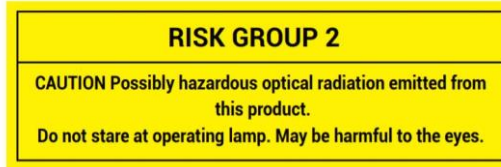
- The basic knowledge and operation skills of low voltage wiring and low voltage electronic circuit connection.
- The ability to comprehend the contents of this manual.

### 1.3 Electromagnetic Interference Prevention

- Make sure that the shielding layer of cables is intact and 360° connected to the metal connector when using shielded cables.
- Do not route the device together with other equipment (especially servo motors, high-power devices, etc.), and control the distance between cables to more than 10 cm. Make sure to shield the cables if unavoidable.
- The control cable of the device and the power cable of the industrial light source must be wired separately to avoid bundled wiring.
- The power cable, data cable, signal cable, etc. of the device must be wired separately. Make sure to ground them if the wiring groove is used to separate the wiring and the wiring groove is metal.
- During the wiring process, evaluate the wiring space reasonably, and do not pull the cables hard, so as not to damage the electrical performance of the cables.
- If the device is powered on and off frequently, it is necessary to strengthen the voltage isolation, and consider adding a DC/DC isolation power supply module between the device and the adapter.
- Use the power adapter to supply power to the device separately. If centralized power supply is necessary, make sure to use a DC filter to filter the power supply of the device separately before use.
- The unused cables of the device must be insulated.
- When installing the device, if you cannot ensure that the device itself and all equipment connected to the device are well grounded, you should isolate the device with an insulating bracket.
- To avoid the accumulation of static electricity, ensure that other equipment (such as machines, internal components, etc.) and metal brackets on site are properly grounded.
- Make sure that the connector metal barrier of the device is well connected to the PC and other chassis, and if necessary, copper foil should be used to enhance the grounding effect.
- During the installation and use of the device, high voltage leakage must be avoided.
- Use a figure-eight bundle method if the device cable is too long.
- When connecting the device and metal accessories, they must be connected firmly to maintain good conductivity.
- Use a shielded network cable to connect to the device. If you use a self-made network cable, make sure that the shielding shell at the aviation head is well connected to the aluminum foil or metal braid of the shielding cable.

## 1.4 Light Source Prevention

- This device has a retinal blue light hazard that belongs to the class II hazard. Do not observe the light source during the operation.
  - The safety distance of the light source is 0.4 m.
  - Protective measures like wearing safety goggles are required when installing, maintaining and debugging the device.



**Figure 1-1 Blue Light Hazard**

- In the absence of proper protection, you should keep safety distance with the light source, or avoid direct eye exposure with the light source during device installation and maintenance.

## Chapter 2 Overview

### 2.1 Introduction

The SC6000 series smart camera is developed based on a high-performance embedded platform with built-in AI deep learning algorithms and powerful computing performance. The device integrates interfaces like GigE, USB, VGA, serial port and light source, which is convenient to build a complex vision system.

The device also has a built-in embedded VM software server and VMClient operation interface, which supports the establishment of connection with the device through the VM client on the Windows system PC to complete the solution building. The device has many functions, supports a variety of ways of use, meets the diverse visual detection needs of OCR, object recognition, object sorting, etc., and can be widely used in industrial fields.

### 2.2 Key Features

- Adopts AI deep learning algorithm to achieve OCR, object recognition, object sorting, etc.
- Integrates VM functions and supports more than 140 algorithms.
- Adopts multiple interfaces and supports multiple-channel I/O, light source, display, etc.
- Adopts high-performance CPU with faster calculation performance and high efficiency.
- Supports multiple communication protocols.
- Supports indicators displaying device status for easy debugging and maintenance.
- Supports ingress protection IP67.

---

#### Note

Refer to the device's specifications for specific parameters.

---

## Chapter 3 Appearance and Connector

### 3.1 Appearance

**Note**

Appearance here is for reference only. Refer to the device's specification for detailed dimension information.

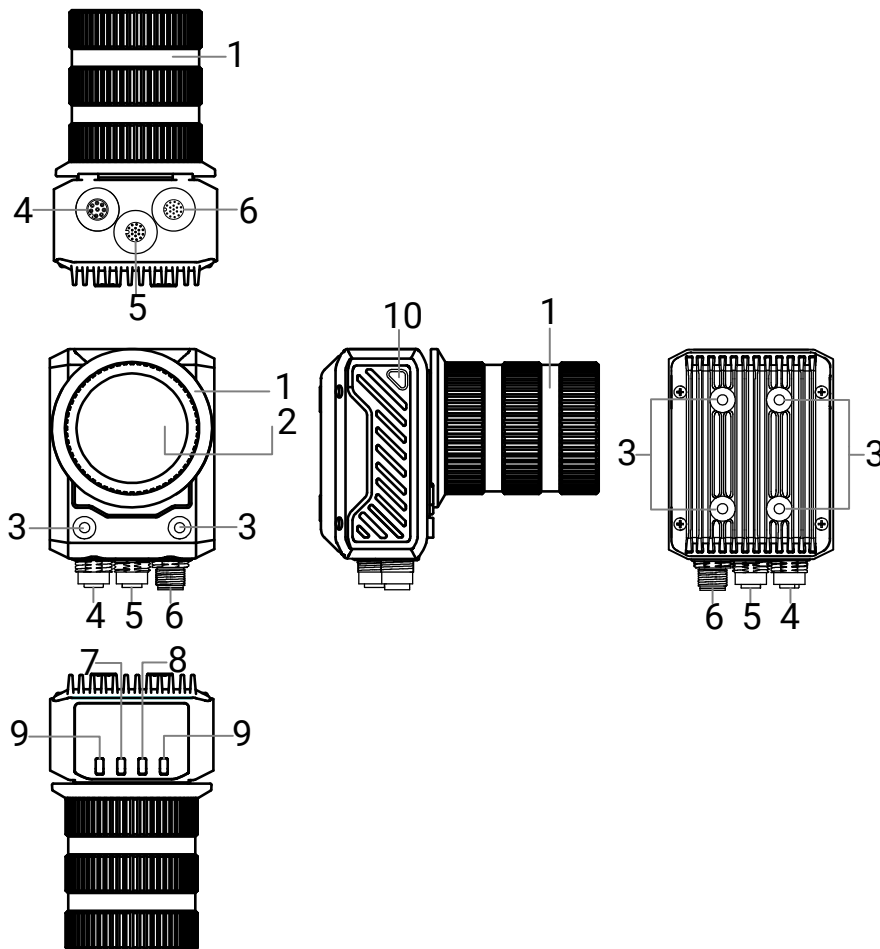


Figure 3-1 Appearance of C-Mount Device

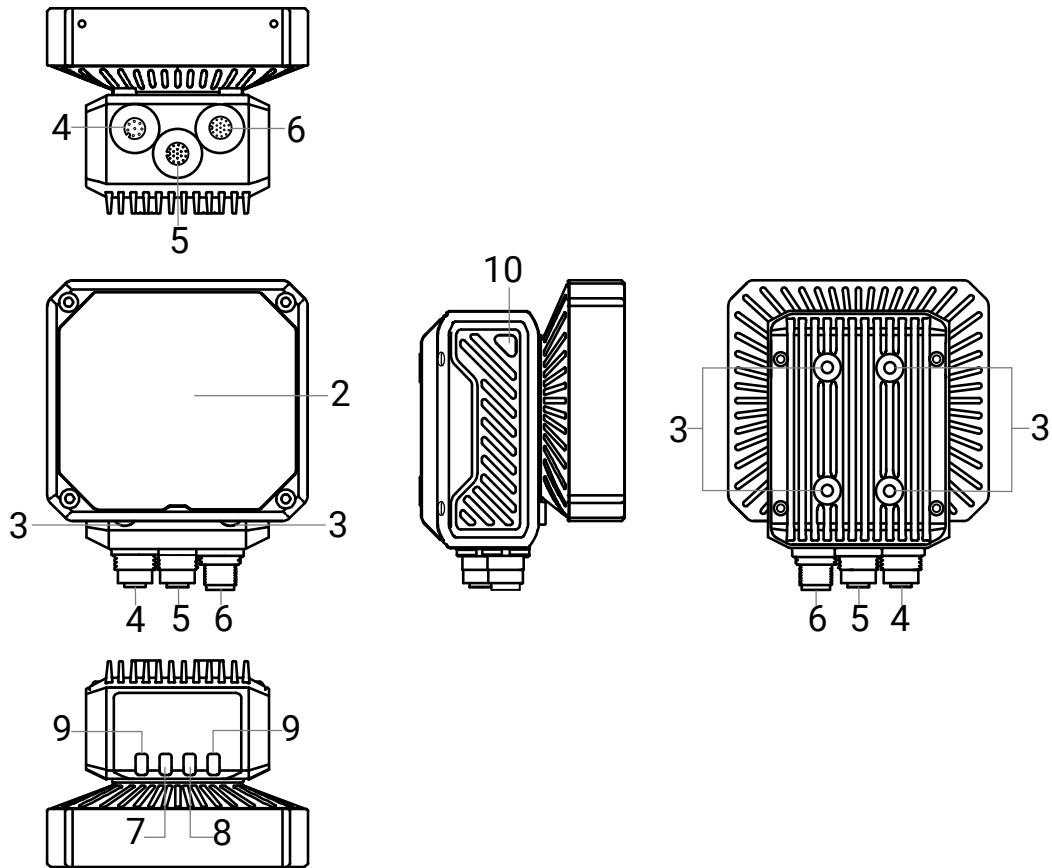


Figure 3-2 Appearance of M12-Mount Device

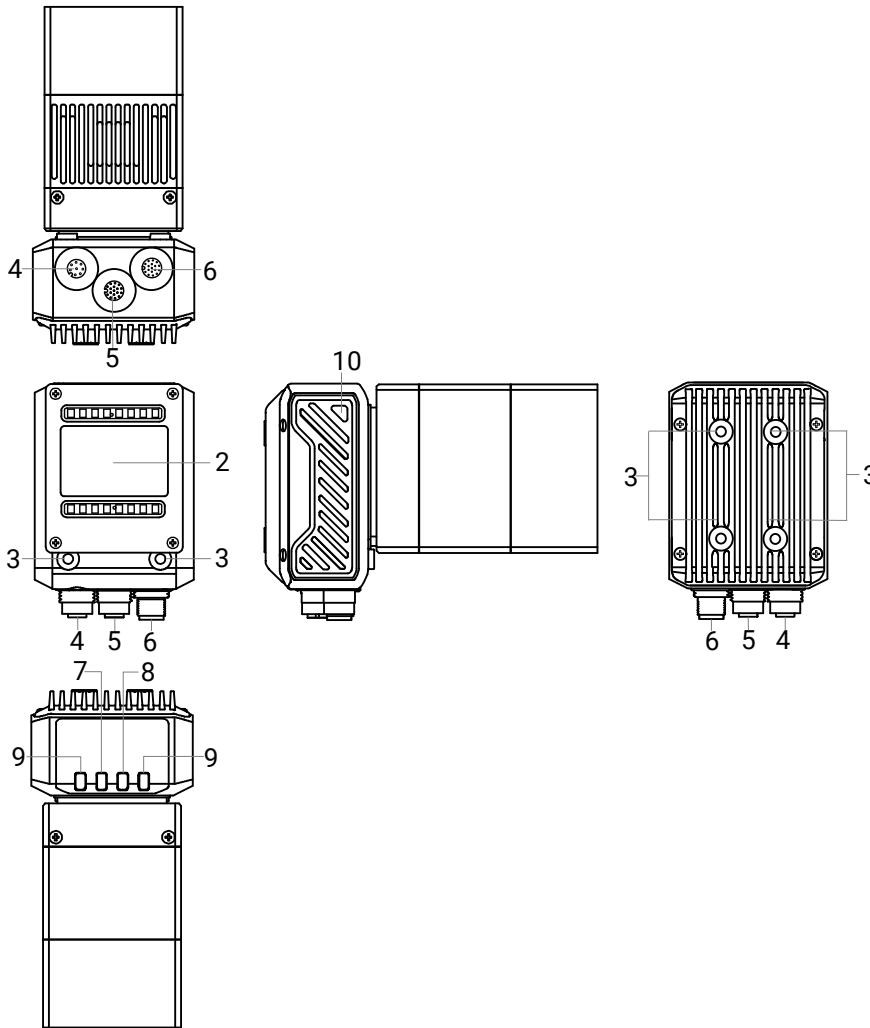





Figure 3-3 Appearance of Wafer Device

Table 3-1 Component Description

No.	Name	Description
1	Lens Cap	The device adopts a transparent lens cap by default.
2	Acquisition Module	It is used to acquire images. <b>Note</b> For M12-mount device, it supports four-color light source (red/green/blue/white). You can switch the color by software as needed.
3	Screw Hole	There are mounting screw holes on the front and rear of the device (2 on the front and 4 on the rear) to fix the device to the bracket. It is recommended to use M4 screws in the device package.

No.	Name	Description
		<p> <b>Note</b></p> <p>If other screws are used, it is recommended to choose metric M4 screws, and the screw length should be less than the sum of the thickness of the mounting plate and the depth of the screw hole.</p>
4	Network Interface	<p>It is GigE interface for transmitting data.</p> <p> <b>Note</b></p> <p>The interface has threads, and it is recommended to tighten the interface when using the device to reduce looseness due to the vibration on-site.</p>
5	Extended Interface	<p>It is a 17-pin M12 female connector providing VGA × 1 and USB host × 1.</p>
6	Power and I/O Connector	<p>It is a 17-pin M12 male connector providing power supply, I/O signals, and RS-232 communication.</p> <p> <b>Note</b></p> <p>The interface has threads, and it is recommended to tighten the interface when using the device to reduce looseness due to the vibration on-site.</p>
7	PWR Indicator	<p>It is a power indicator, and is solid blue when the device's power supply is normal.</p>
8	LNK Indicator	<p>It is a network indicator, and is solid green when the device's network is normal.</p>
9	U1/U2 Indicator	<p>They are user-defined indicators. U1 and U2 can display red or blue color.</p>
10	STS Indicator	<p>It is a status indicator for indicating the VM service status. It is solid green when the VM service is normal. Otherwise, the indicator is solid red.</p>

## 3.2 Connector

The device's main connector includes power and I/O connector, and extended interface. Refer to the information below for details.

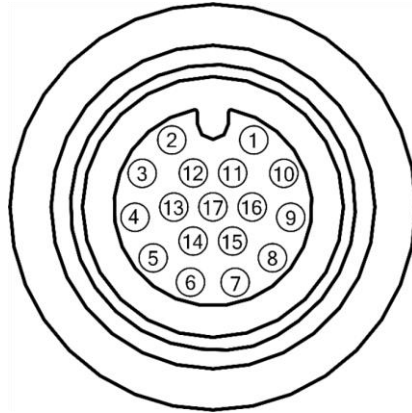
### 3.2.1 Power and I/O Connector

The device's power and I/O connector is a 17-pin M12 male connector that provides opto-

## SC6000 Series Smart Camera Quick Start Guide

---

isolated input × 2 (Line 0/1), opto-isolated output × 2 (Line 4/5), configurable non-isolated input/output × 2 (Line 2/3), RS-232 × 1, and light source output (max. 30 W) × 1.  
The pin definition of the connector is shown below.



**Figure 3-4 Power and I/O Connector**

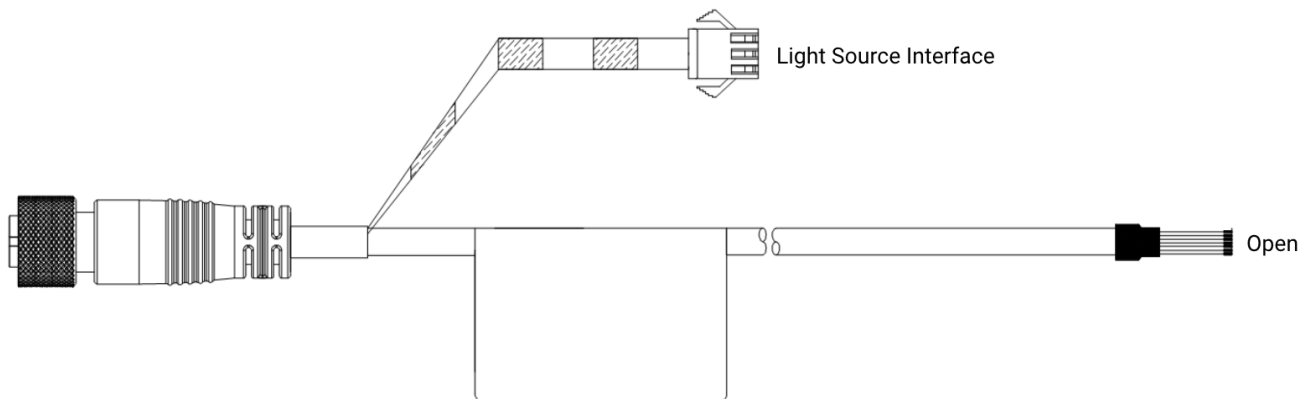
**Table 3-2 Pin Definition**

No.	Signal	I/O Signal Source	Description		Cable Color
1	VCC+	--	DC Power Supply+	When an external light source is not required, use either of the two pairs "1 and 3" or "2 and 4". If an external light source is required, these 4 pins need to be wired, and power supply of 24 V, 2A or more is recommended.	White
2					
3	VCC-	--	Power Supply Ground		Brown
4					
5	LED+	--	External Light Source+		Green/White
6	LED-	--	External Light Source-		Blue/White
7	RS232_T	--	RS-232 Output		Red/Blue
8	RS232_R	--	RS-232 Input		Gray/Pink
9	OPTO_IN0	Line 0 Signal Line	Opto-isolated Input 0		Blue
10	OPTO_IN1	Line 1 Signal Line	Opto-isolated Input 1		Red
11	IN_COM	Line 0/1 Signal Ground	Input Signal Ground		Purple
12	OPTO_OUT0	Line 4 Signal Line	Opto-isolated Output 0		Green

## SC6000 Series Smart Camera Quick Start Guide

No.	Signal	I/O Signal Source	Description	Cable Color
13	OPTO_OUT1	Line 5 Signal Line	Opto-isolated Output 1	Yellow
14	OUT_COM	Line 4/5 Signal Ground	Output Signal Ground	Pink
15	GPI00	Line 2 Signal Line	Configurable Input/Output, Output by Default	Black
16	GPI01	Line 3 Signal Line	Configurable Input/Output, Output by Default	Orange
17	GND	Line 2/3 Signal Ground	Configurable Input/Output Signal Ground	Gray

The supplied power and I/O cable in the device's package is shown below.



**Figure 3-5 Power and I/O Cable**

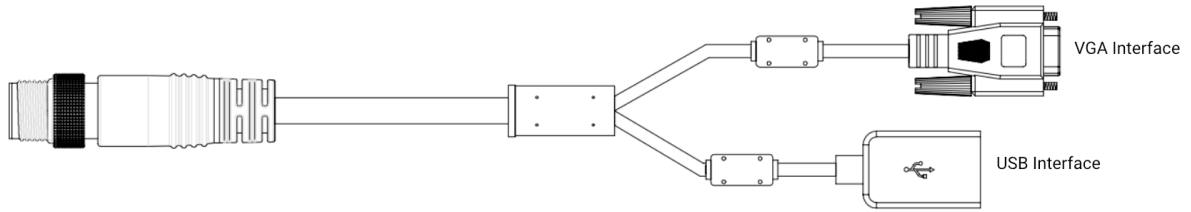
### Note

- The light source output corresponding to 5<sup>th</sup> pin and 6<sup>th</sup> pin in the cable has been made into a SMR-03V-B type of light source interface by default. The light source device can be directly connected without wiring.
- For the open part of the cable corresponding to other pins, please wire according to the description of each pin in the table above.

### 3.2.2 Extended Interface

The extended interface of the device is a 17-pin M12 female connector providing VGA × 1 and USB host × 1. It is recommended to use the supplied USB/VGA cable in the device's

package, as shown below.




**Figure 3-6 USB/VGA Cable**

## Chapter 4 Device Installation and Wiring

### 4.1 Installation Preparation

You need to prepare following accessories before installation.

**Table 4-1 Accessories**

No.	Name	Quantity	Description
1	Lens*	1	It refers to a C-mount lens.
2	Lens Cap	1	It is included in the device and is removable.
3	Light Source	1	It is used to provide the light and is optional.  <b>Note</b> The light source should support SMR-03V-B interface and it must be a constant voltage one.
4	Power and I/O Cable	1	It is a supplied 17-pin to open cable that is included in the device's packaged.
5	GigE Network Cable	1	It is a supplied aviation plug to RJ45 network cable that is included in the device's packaged.
6	USB/VGA Cable	1	It is a supplied 17-pin cable that is included in the device's packaged.
7	DC Switch Power Supply*	1	It should meet the device's power supply requirements.
8	Installation Bracket*	1	It is used to fix the device.

#### **Note**

Accessories with \* mark mean that these items are not included in the device's package, and you should purchase them separately in order to use the device normally.

### 4.2 Install Device

#### **Before You Start**

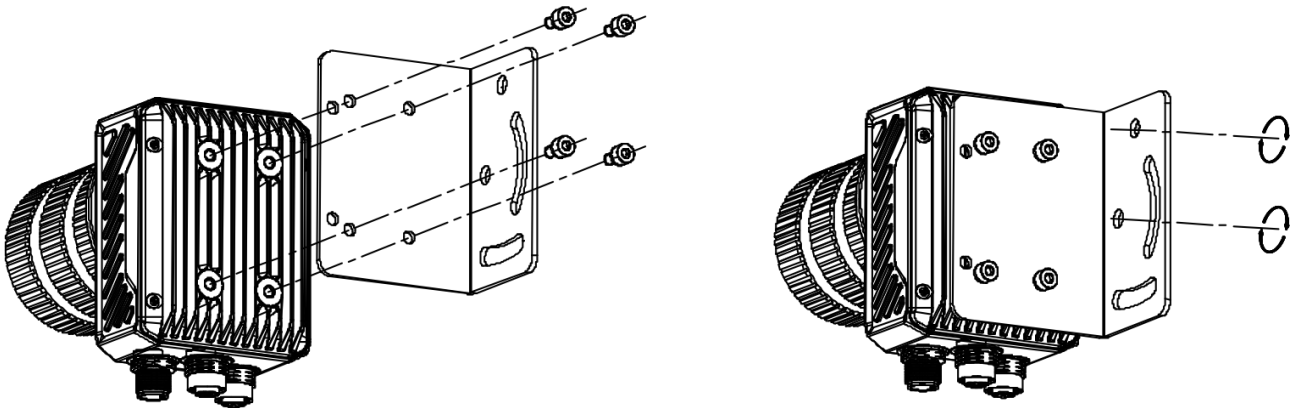
- Make sure the device in the package is in good condition and all the assembly parts are included.
- Make sure that all the related devices are powered off during the installation.

### Steps

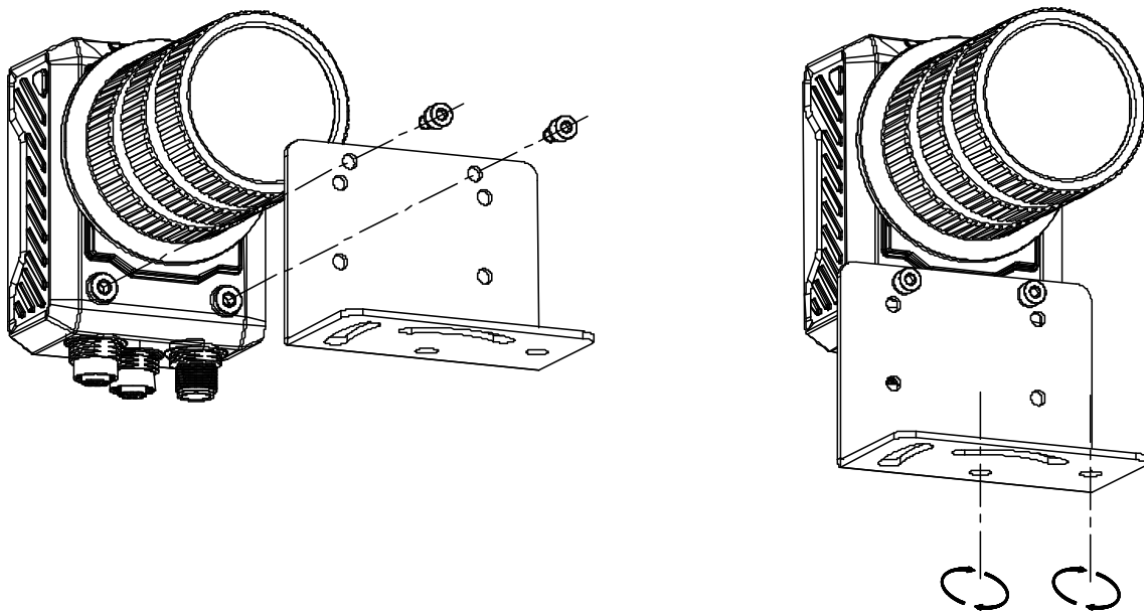
1. Use M4 screws to fix the device to the installation bracket.
2. Install the device to other mechanical parts via the installation bracket.

### Note

- Front installation and rear installation are both available, as shown below.
- The diagrams here are for reference only. Please refer to the actual one.



**Figure 4-1 Rear Installation**

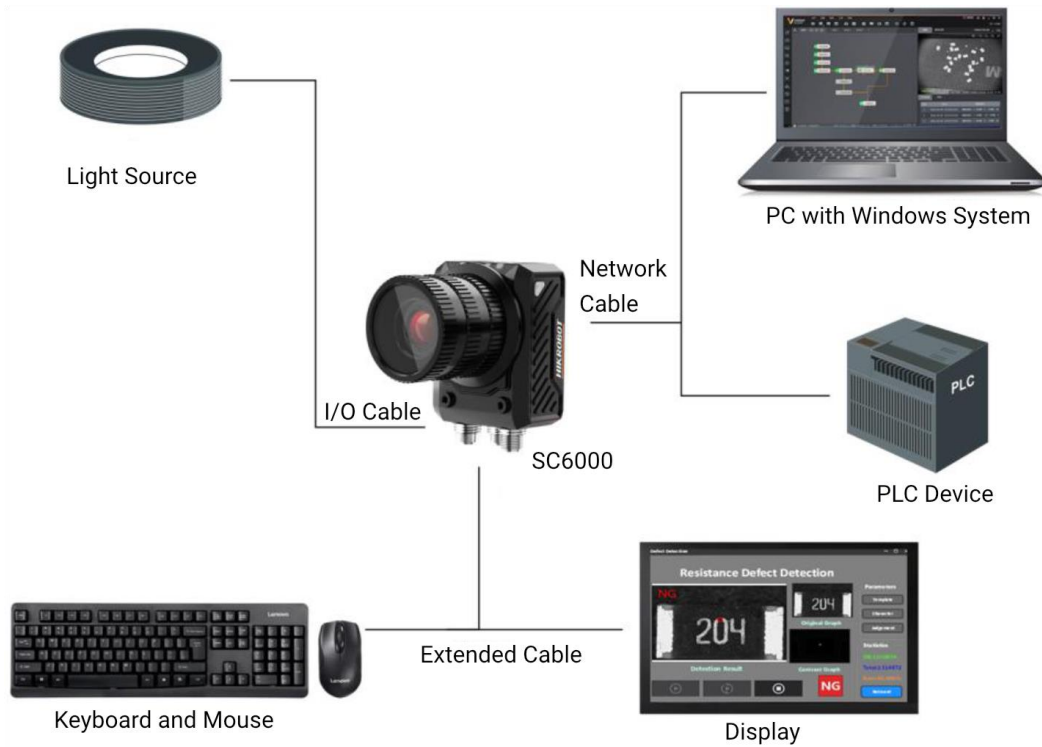


**Figure 4-2 Front Installation**

3. (Optional) Adjust the device's installation angle according to actual demands.
4. Use the GigE network cable to connect the device to a switch or a NIC.
5. Use the power and I/O cable to connect the device to a DC switch power supply.

## 4.3 Wire Device

After installing the device, you should wire it to external devices via different cables. The typical topological graph is shown below, and you can wire the device according to actual demands.



**Figure 4-3 Topological Graph**

### Note

- Run the VM software on the PC of Windows system. VMClient.exe is used to connect the device and build the solution.
- The display shows the VMClient operated by the device, and VMClient loads and runs visual solutions. The device is connected to the display via its VGA interface.

## Chapter 5 Device Operation

Before operating on the device, you need to execute debugging via client software, create and run the vision solutions.

VM Service and VM Client-ARM software have been installed in the system by default. The VM Client software is compatible with 64-bit Windows 7/10/11, and you can download the client software from [en.hikrobotics.com](http://en.hikrobotics.com).

After installation, you can log in to the client, create and run the solution on the client.

For more details on quick start of solution establishment, please refer to the section *Get Started* in *Vision Master Platform User Manual* via scanning the QR code below.



Figure 5-1 Vision Master Platform User Manual

## Chapter 6 I/O and Serial Port Introduction

The device's 17-pin M12 male connector has opto-isolated input × 2 (Line 0/1), opto-isolated output × 2 (Line 4/5), configurable non-isolated input/output × 2 (Line 2/3), and RS-232 × 1. This section introduces the I/O electrical feature, I/O wiring, and RS-232 wiring.

### 6.1 I/O Electrical Feature

This section introduces the electrical feature of opto-isolated input and opto-isolated output.

#### 6.1.1 Input Signal

The device's Line 0/1 are opto-isolated inputs, and their internal circuit is as follows.

##### Note

- The input voltage ranges from 12 VDC to 24 VDC.
- The breakdown voltage is 33 VDC. Keep voltage stable.

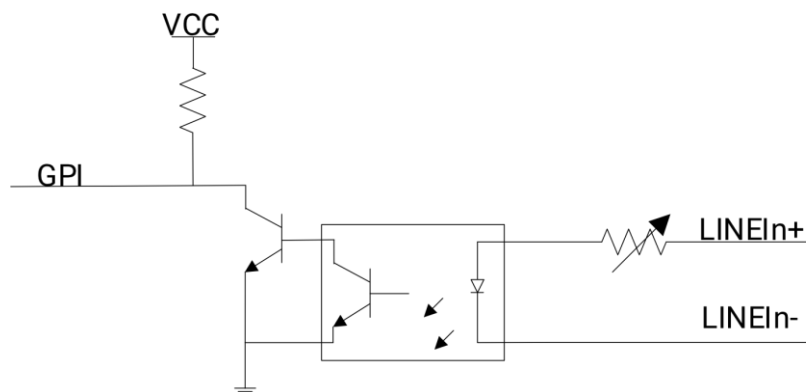


Figure 6-1 Internal Circuit of Input Signal

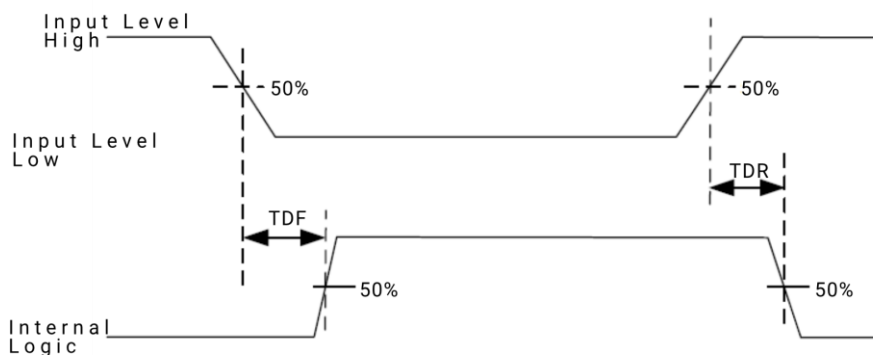


Figure 6-2 Input Logic Level

**Table 6-1 Input Electrical Feature**

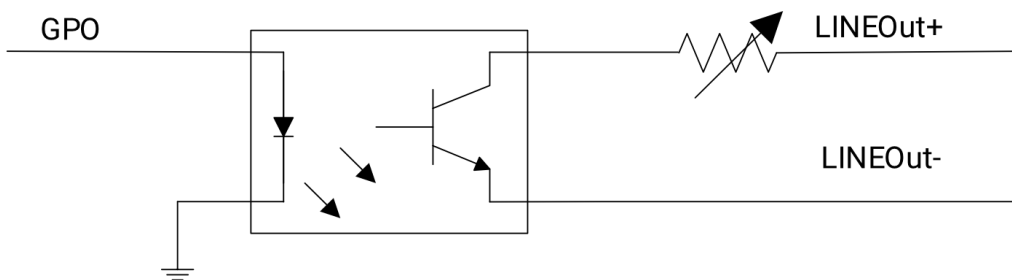
Parameter Name	Symbol	Value
Input Logic Level Low	VL	1.5 VDC
Input Logic Level High	VH	2 VDC
Input Falling Delay	TDF	81.6 $\mu$ s
Input Rising Delay	TDR	7 $\mu$ s

### 6.1.2 Output Signal

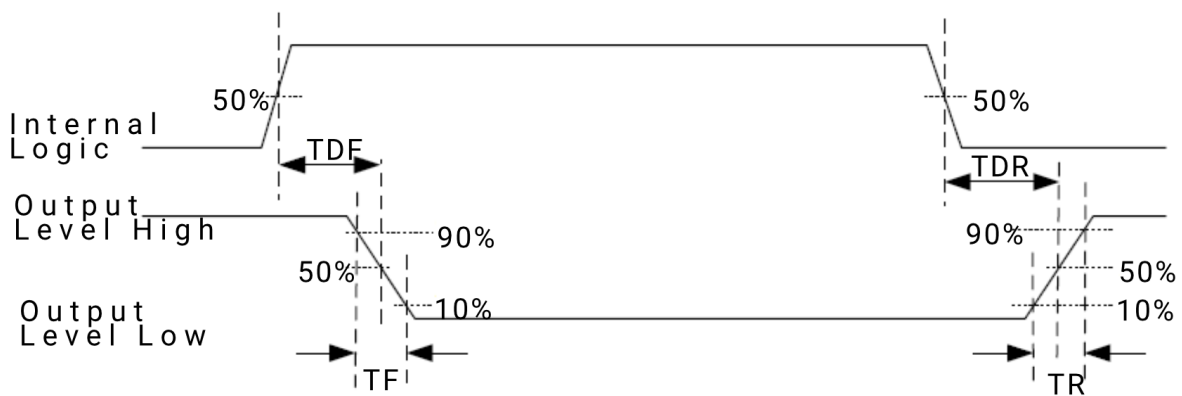
The device's Line 4/5 are opto-isolated outputs, and their internal circuit is as follows.

**Note**

- The output voltage ranges from 5 VDC to 30 VDC.
- The maximum output current is 25 mA.
- Do not directly connect with inductive load (e.g. DC motor, etc.) when outputting.
- If the external voltage and resistance change, the corresponding current of output signal and output logic level low may differ.



**Figure 6-3 Internal Circuit of Output Signal**



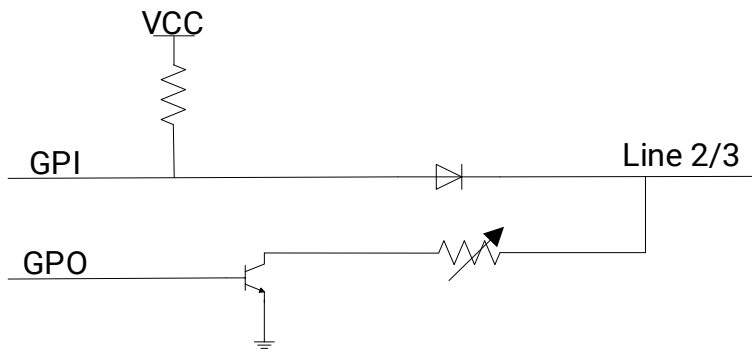
**Figure 6-4 Output Logic Level**

**Table 6-2 Output Electrical Feature**

Parameter Name	Symbol	Value
Output Logic Level Low	VL	730 mV
Output Logic Level High	VH	3.2 VDC
Output Falling Delay	TDF	6.3 $\mu$ s
Output Rising Delay	TDR	68 $\mu$ s
Output Falling Time	TF	3 $\mu$ s
Output Rising Time	TR	60 $\mu$ s

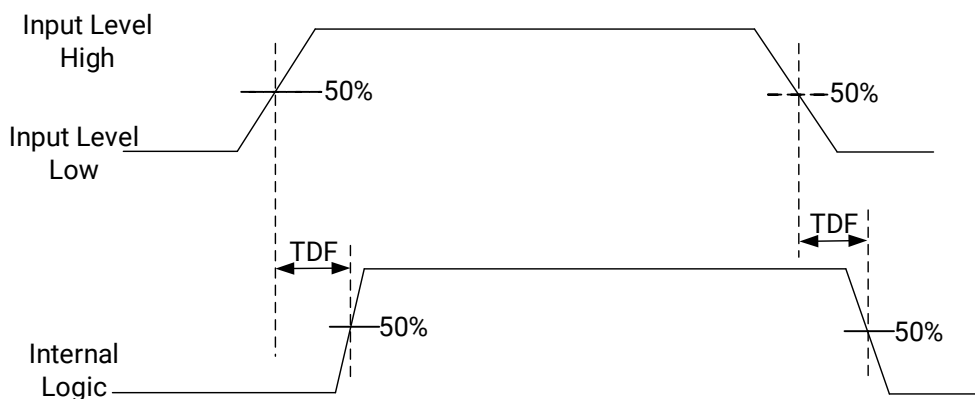
### 6.1.3 Configurable Input/Output Signal

The device's Line 2/3 can be configured to input or output signals via the VM software, and their internal circuit is as follows.



**Figure 6-5 Internal Circuit of Bi-Directional Signal**

#### Configured as Input Signal

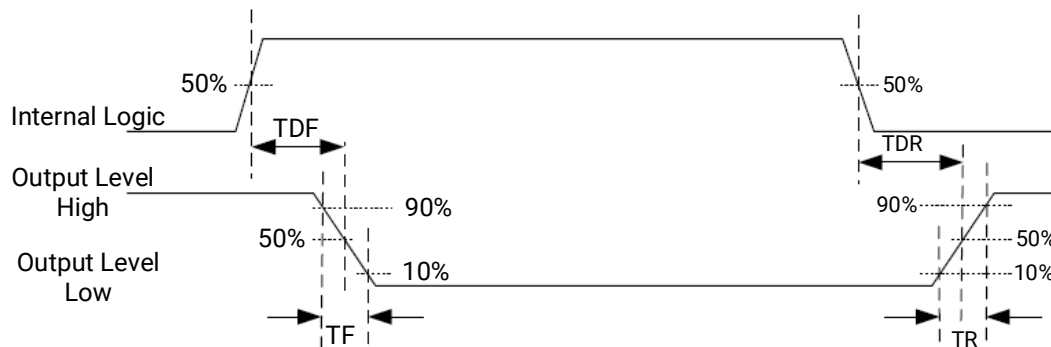


**Figure 6-6 Input Logic Level**

**Table 6-3 Input Electrical Feature**

Parameter Name	Symbol	Value
Input Logic Level Low	VL	1 VDC
Input Logic Level High	VH	2 VDC
Input Falling Delay	TDF	2 $\mu$ s
Input Rising Delay	TDR	62 $\mu$ s

**Configured as Output Signal**



**Figure 6-7 Output Logic Level**

When the external voltage is 12 VDC and pull-up resistor is 1 K $\Omega$ , the output electric feature is shown below.

**Table 6-4 Output Electrical Feature**

Parameter Name	Symbol	Value
Output Logic Level Low	VL	500 mV
Output Logic Level High	VH	12 VDC (external pull-up resistor)
Output Falling Delay	TDF	330 ns
Output Rising Delay	TDR	4.4 $\mu$ s
Output Falling Time	TF	116 ns
Output Rising Time	TR	3.8 $\mu$ s

Relation between different external voltages and output logic level low is shown below.

**Table 6-5 Parameters of Output Logic Level Low**

External Voltage	VL
3.3 VDC	180 mV
5 VDC	260 mV

External Voltage	VL
12 VDC	500 mV
24 VDC	900 mV

## 6.2 I/O Wiring

The device receives an externally input signal or output a signal to an external device through its 17-pin M12 male connector. This section introduces how to wire the I/O parts.

### Note

Here we take Line 0 as an example to introduce input signal wiring, and take Line 4 as an example to introduce output signal wiring.

### 6.2.1 Input Signal Wiring

#### Note

- Input signal wiring may differ by external device types.
- The voltage of VCC should not higher than that of PWR. Otherwise, the device's output signal may have exception.

#### Input Signal from PNP Device

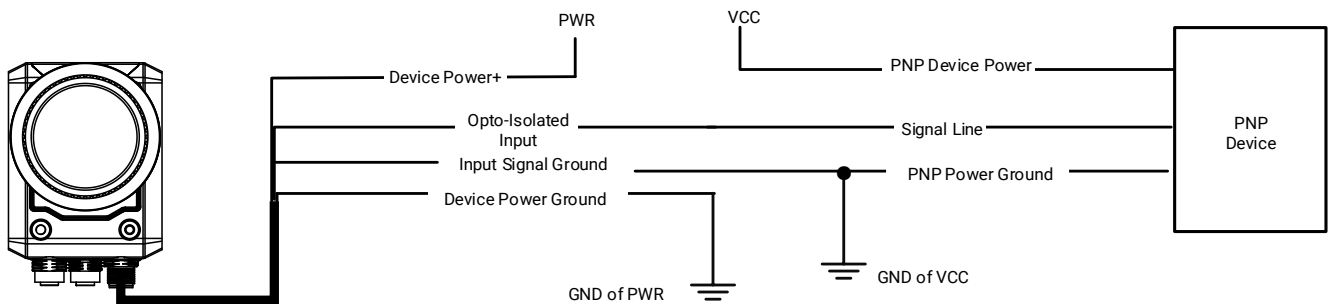


Figure 6-8 Input Signal Connecting to PNP Device

## Input Signal from NPN Device

If the VCC of NPN device is 12 VDC or 24 VDC and 1 K $\Omega$  pull-up resistor is used, its wiring is as follows.

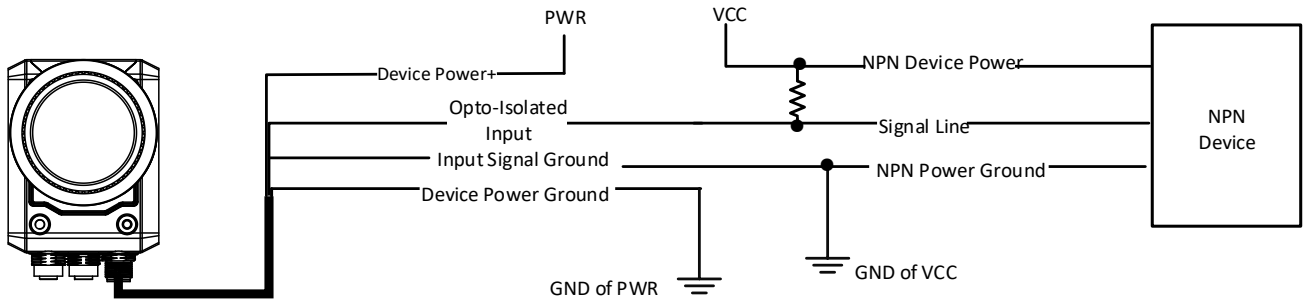


Figure 6-9 Input Signal Connecting to NPN Device

## 6.2.2 Output Signal Wiring

### Note

- Output signal wiring may differ by external device types.
- The voltage of VCC should not higher than that of PWR. Otherwise, the device's output signal may have exception.

## PNP Device as External Device

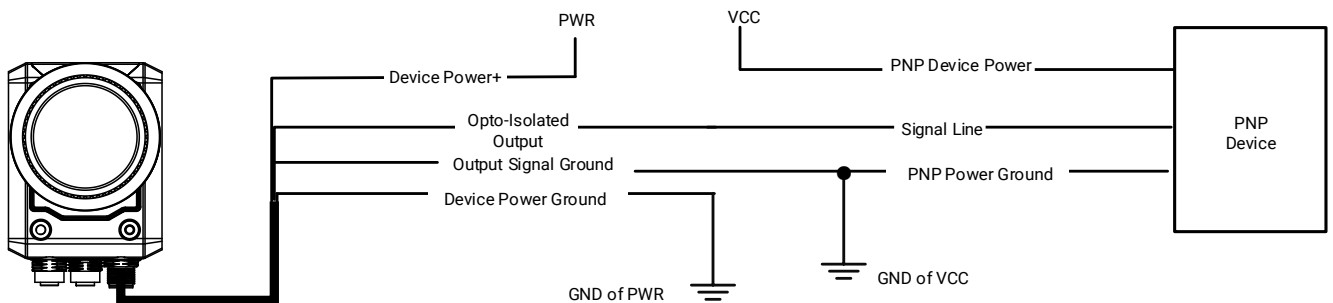


Figure 6-10 Output Signal Connecting to PNP Device

### NPN Device as External Device

If the VCC of NPN device is 12 VDC or 24 VDC and 1 K $\Omega$  pull-up resistor is used, its wiring is as follows.

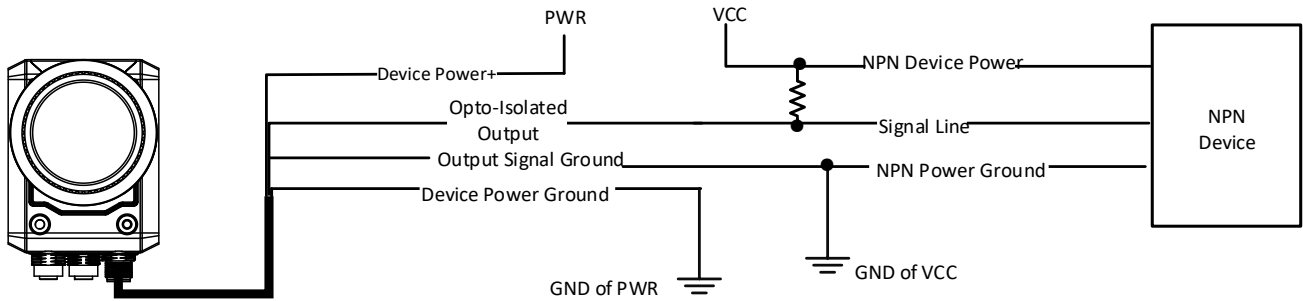


Figure 6-11 Output Signal Connecting to NPN Device

### 6.2.3 Configurable Input/Output Wiring

The device's Line 2/3 can be configured to input or output signals via the VM software, and their wiring is shown below.

**Note**

- Input/output signal wiring may differ by external device types.
- The voltage of VCC should not higher than that of PWR. Otherwise, the device's output signal may have exception.

### Input Signal from PNP Device

If 1 K $\Omega$  pull-down resistor is used, its wiring is as follows.

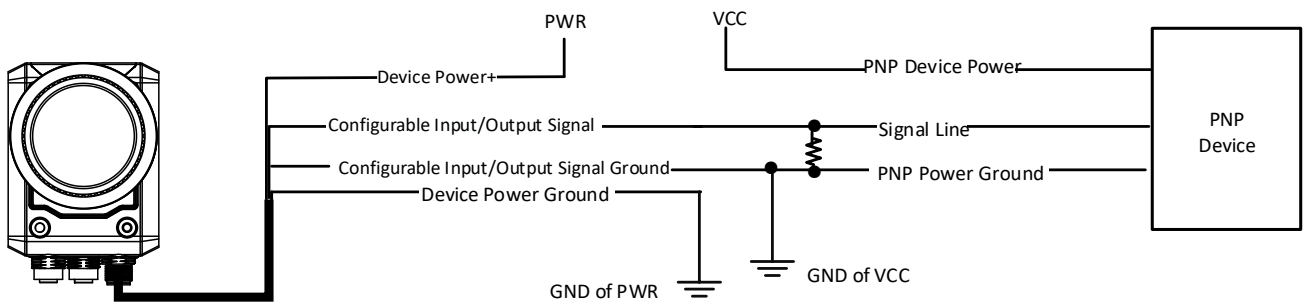


Figure 6-12 Input Signal Connecting to PNP Device

### Input Signal from NPN Device

If the VCC of NPN device is 12 VDC or 24 VDC and 1 K $\Omega$  pull-up resistor is used, its wiring is as follows.

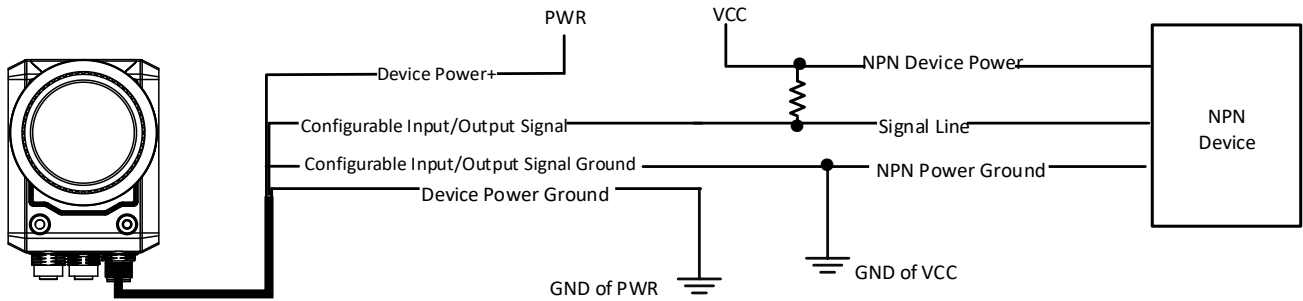


Figure 6-13 Input Signal Connecting to NPN Device

### Output Signal to PNP Device

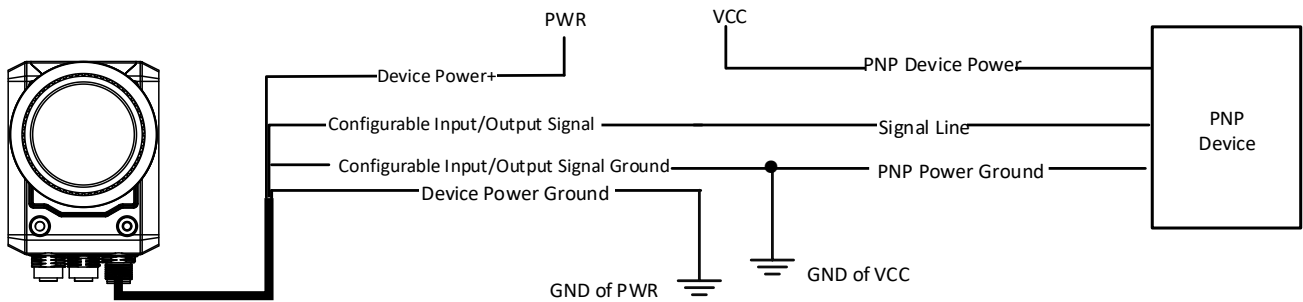


Figure 6-14 Output Signal Connecting to PNP Device

### Output Signal to NPN Device

If the VCC of NPN device is 12 VDC or 24 VDC and 1 K $\Omega$  pull-up resistor is used, its wiring is as follows.

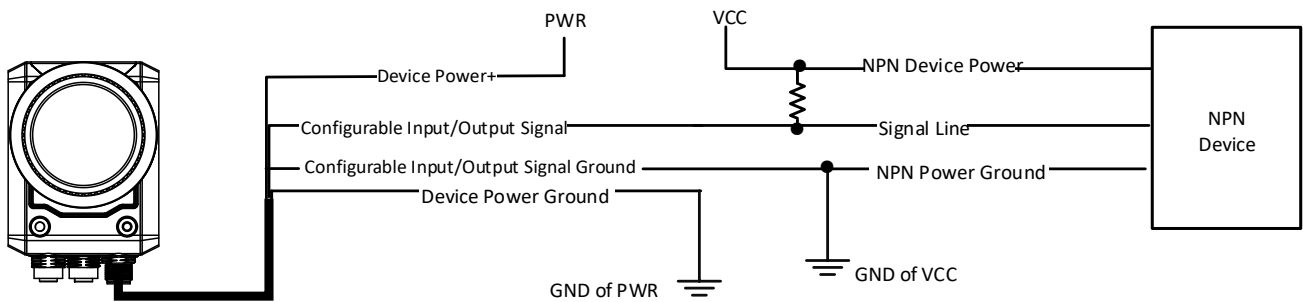


Figure 6-15 Output Signal Connecting to NPN Device

## 6.3 RS-232 Serial Port

The device supports outputting via the RS-232 serial port.

### Note

Refer to the user manual of the VM software for details.

### 6.3.1 RS-232 Serial Port Introduction

The 9-pin male connector and 25-pin male connector are commonly used serial ports, as shown below. You can refer to the table below for the specific pin name and function.

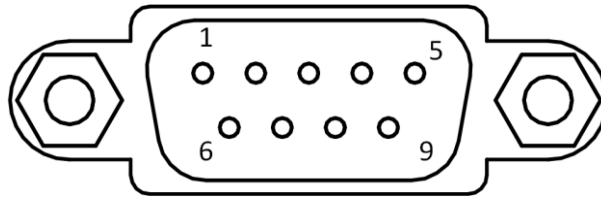


Figure 6-16 9-Pin Connector

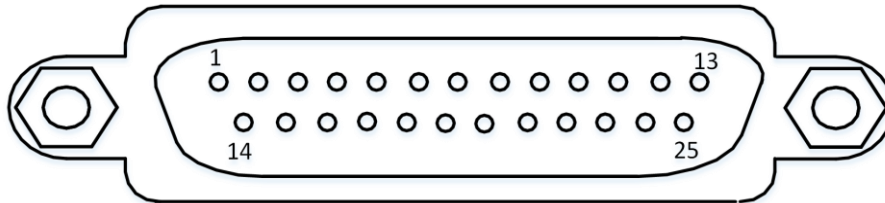


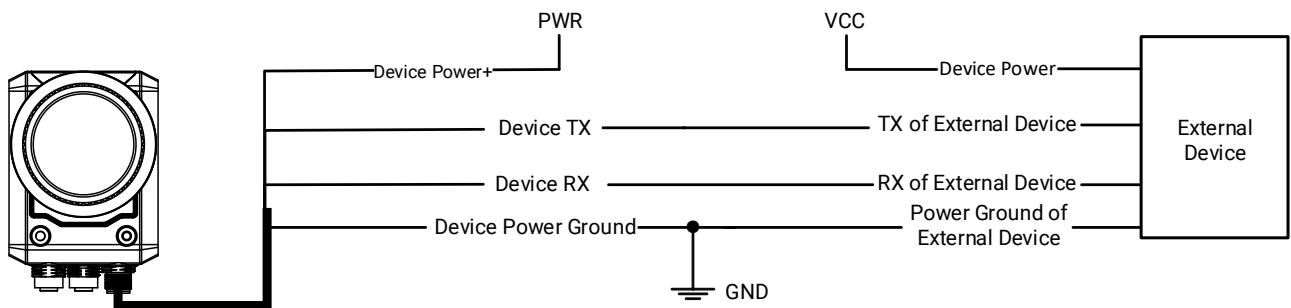
Figure 6-17 25-Pin Connector

Table 6-6 Description

Serial Port Type	Pin No.	Name	Function
9-Pin Connector	2	RX	Receive Data
	3	TX	Transmit Data
	5	GND	Signal Ground
25-Pin Connector	2	TX	Transmit Data
	3	RX	Receive Data
	7	GND	Signal Ground

### 6.3.2 RS-232 Serial Port Wiring

You can refer to the serial port wiring below to connect the device with an external device.



**Figure 6-18 RS-232 Serial Port Wiring**

## Chapter 7 FAQ (Frequently Asked Question)

### 7.1 Why the device cannot be connected to the VM software?

Table 7-1 Question 1

Possible Cause	Solution
The device is powered off.	Check the device's power connection (the indicator is solid blue if the device works normally) to make sure the device is powered up normally.
Network exception.	Check the network connection (the indicator on the right is solid green and that on the left is flashing yellow if the network is normal) to make sure the device can be connected to the network normally, and make sure that the PC and the device are in the same network segment.

### 7.2 Why the image is very dark?

Table 7-2 Question 2

Possible Cause	Solution
All black during live view. It may be caused by insufficient brightness of light source.	Increase the brightness of light source appropriately, or change to a brighter one.
Too dark during live view. It may be caused by too small value of exposure and gain.	Increase exposure and gain appropriately.

### 7.3 Why the image's frame rate is very low in the live view?

Table 7-3 Question 3

Possible Cause	Solution
Network circuitry speed is not 1000 Mbit/s.	Check if the network transit speed is 1000 Mbit/s or above.

## 7.4 Why there is no image in the live view?

Table 7-4 Question 4

Possible Cause	Solution
Enabled trigger mode, but there is no trigger signal.	Send the trigger signal to the device, or disable the trigger mode.



***HIKROBOT***

SHAPE OUR FUTURE INTELLIGENTLY

**Hikrobot Co., Ltd.**

Tel: 400-989-7998

Website: <https://en.hikrobotics.com/>

UD43384B